


PRODUCT NAME	INDUCTION CHINESE WOK	QUANTITY	MODEL #	GT-10CW
			<p>PERFORMANCE:</p> <p>The Greentech™ Induction Chinese Wok is a freestanding, stainless steel design with a high-impact glass-ceramic intended for back-of-the-house applications in commercial kitchens and restaurants. An automatic shut-off feature, integral cooling fan, and self-diagnosing microprocessor allow for a safe kitchen environment. Precise control with 0–10 power settings provides efficient heating of any induction-compatible stock pot.*</p>	

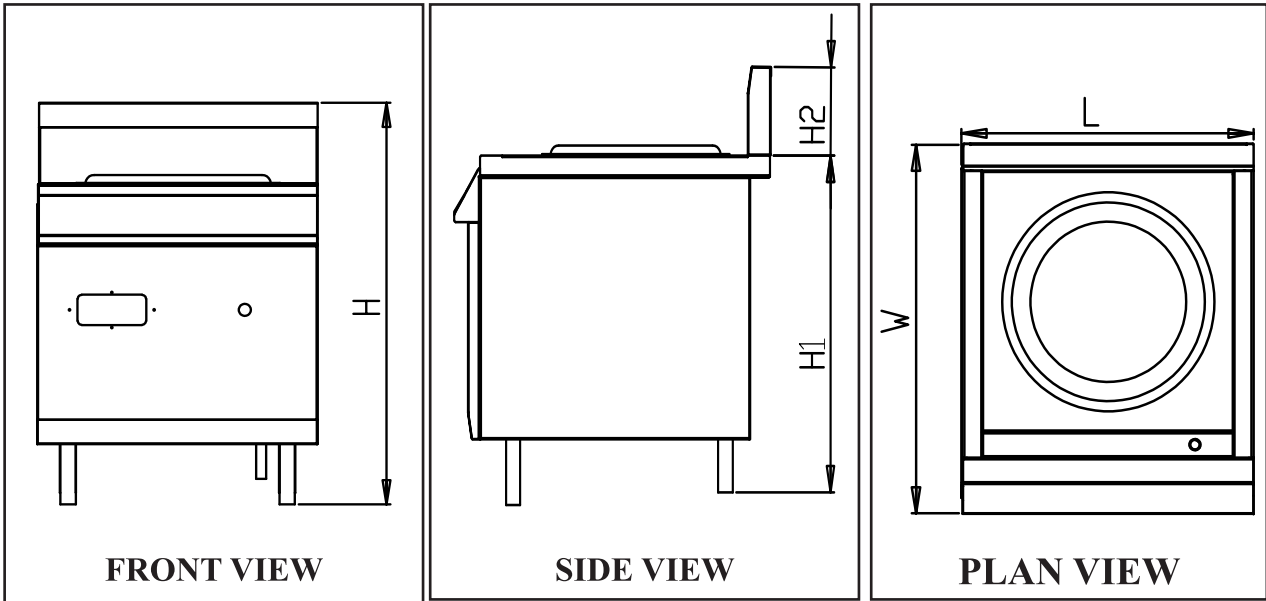
Standard Features

- Models available in 10000 watts.
- Freestanding design with stainless steel housing
- High-Quality internal electronics and heavy gauge litz wire
- LED bar graph display
- Easy-to-use rotary knob with 0 – 9 power settings
- Automatic shut-off feature prohibits overheating
- Integral grease filter and air baffle ensure air intake is cleaner and cooler
- Microprocessor monitors vital components to check for overheating, power supply issues, and more
- Integral fan keeps internal components cool
- Available in 430 VAC, 3-phase
- Includes power cord (6 ft. nominal)
- One-year field service warranty – INDIA
- In-Built Temperature Controller.

*Induction cooking requires the use of Induction compatible (i.e magnetic) cookware.


*It is the owner and installer's responsibility to comply with all electrical standard procedures.

*Greentech reserves the right to make substitutions of components or change specifications without prior notice.


DIMENSIONS

MODEL	L	W	H	D	H1	H2
GT-10CW	695	850	965	370	765	200

ELECTRICAL SPECIFICATIONS (3 - PHASE)

MODEL	WATTS	AMPS	VOLTS	HERTZ	PLUG TYPE
GT-10CW	10 KW	14 A	430 VAC	50-60	IEC 309, 16 A, 5-pin 

CLEARANCE

Front	6"	150 mm
Sides	6"	150 mm
Rear	6"	150 mm
Below	The space between unit legs should be kept free from obstruction.	

COOLING REQUIREMENTS AND SPECIFICATIONS

Max Ambient Temperature	122°F	50°C
Internal Cooling Fan Displacement	140 CFM (3.9m ³ /min)	



- Dedicated circuit required for each installation