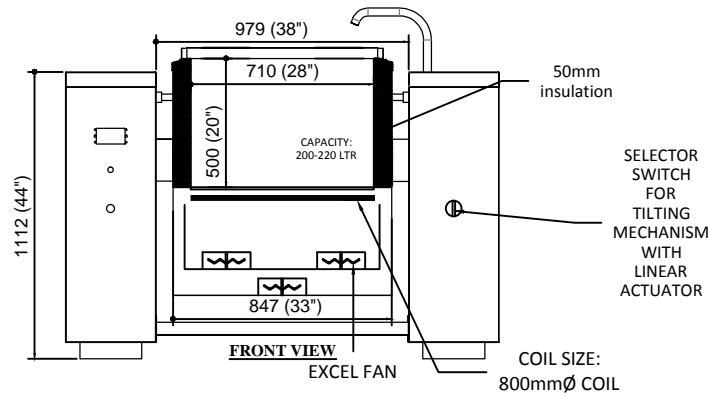
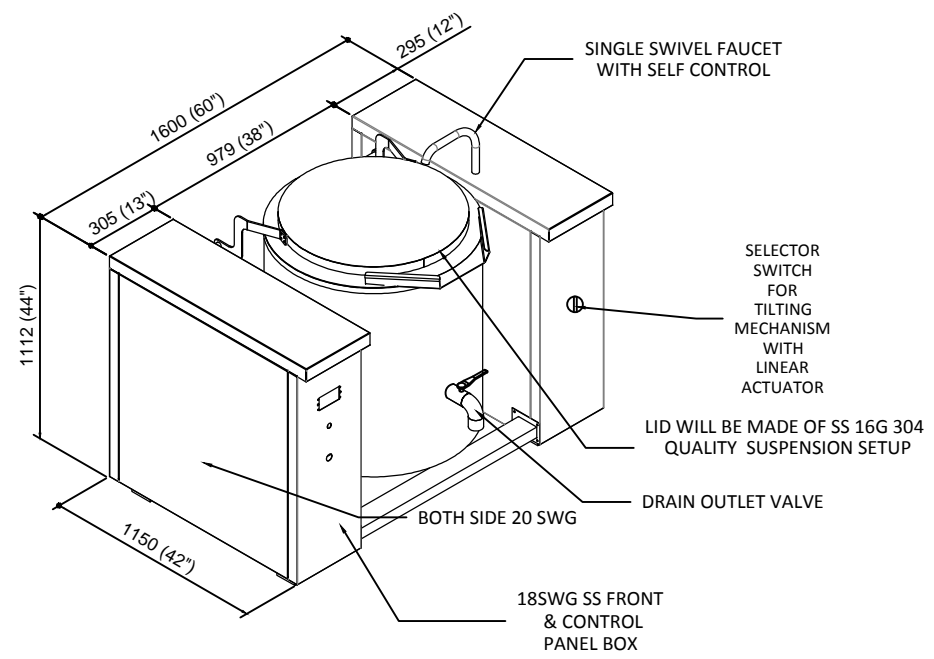


**TOP VIEW**



**FRONT VIEW**



**MAKE : GREEN TECH** LOCATION / FLOORS :  
**MODEL : CUSTOM** **THIRD FLOOR - KITCHEN**



AI LEXICONTECH DEVICES PVT LTD.  
 #54, Katali Nagar,  
 Palani, Tamil Nadu - 600 044.  
 Tamil Nadu, India  
 Tele: +91-44 4051 0312  
 Cell: +91 99405 09800  
 Email: info@induction.com  
 Web: www.glininduction.com

Jobcard No.	<b>030/20-21</b>		
TITLE	INDUCTION BOILING PAN-200LTR	QTY.:	02
SIZE	1600L X 1052W X 1112H	ITEM :	K - 01

**TOTAL LTR CAPACITY 200 LTR**  
**INNER & OUTER TANK = S.S. 304 12 SWG**

**ELECTRICAL SPECIFICATIONS**

**POWER - 20 KW 3 PHASE WITH NEUTRAL**  
**MCB - 63 AMP - 4 POLE**  
**WIRE - 10 SQ. MM - 4 CORE**  
**Cable Length As per Connection Requirement**  
**Separate Earthing is Must of wire 1.5 Sq.mm- 1 Core**

CONNECTION REQUIRED					
WATER		ELECTRIC		GAS	
INLET (Ø mm)	OUTLET (Ø mm)	THREE PHASE	SINGLE PHASE	N.R	
COLD 1/2" Ø	HOT N.R	N.R	440V/50HZ/30KW	N.R	

RELEASED FOR						
INFORMATION	APPROVAL	PRODUCTION	REMARKS IF ANY			
DRAWN BY A.K	CHECKED BY	APPROVED BY				
SCALE N.T.S	SHEET 01 OF 01	REVISION 01				DATED 18.10.2020

- NOTES :**
1. ALL SS SHEETS ARE 304 GRADE.
  2. ALL LEGS/UPRIGHTS ARE #16 GA S.S. 304 GRADE.
  3. QTY., SIZES & ALL OTHER DETAILS AS MENTIONED IN THE DRAWING & SPECIFICATIONS.
  4. ALL DIMENSIONS ARE IN MM.